



TOYOTA

ALWAYS A
BETTER WAY

GT86

Center console armrest

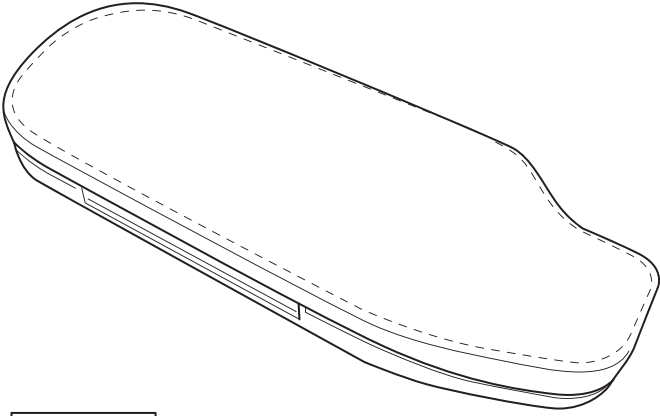


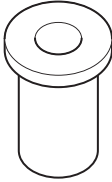
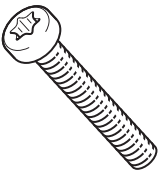
Installation instructions



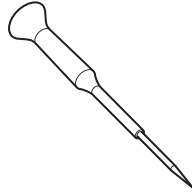

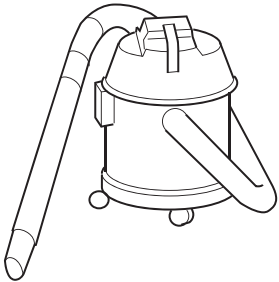

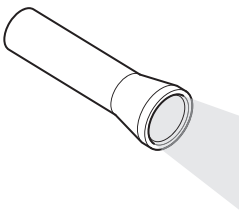
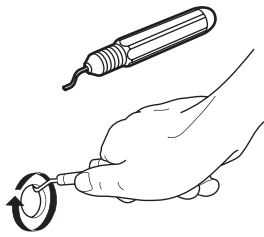
Model year: 2012/03
Vehicle code: ZN6-AK** ZN6-AL**
Part number: PZ435-10340-00 LHD
PZ435-10341-00 RHD

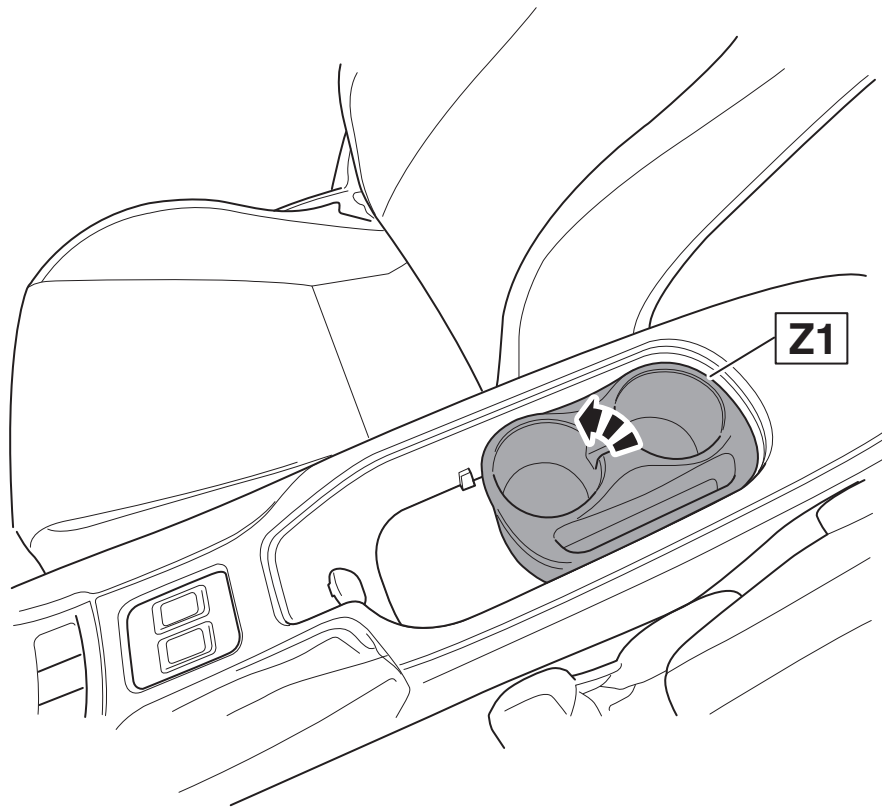
Manual reference number: AIM 002 827-0

Revision Record

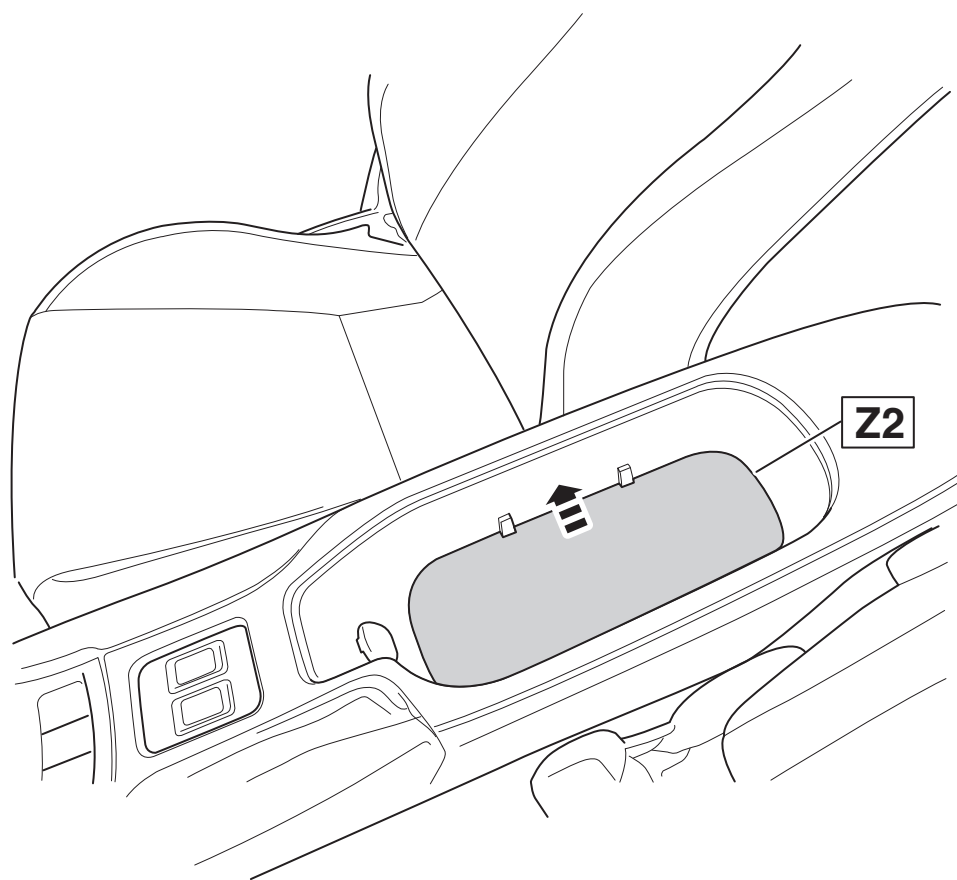
Rev. No.	Date	Page	Picture	Update	New	Deleted steps

 <div style="display: flex; flex-direction: column; gap: 5px;"> <div data-bbox="159 1041 311 1108">  <p>PZ435-10340-00</p> </div> <div data-bbox="159 1120 311 1198">  <p>PZ435-10341-00</p> </div> </div> <p style="text-align: right;">A 1x</p>	 <p style="text-align: right;">B 8x</p>	 <p style="text-align: right;">C 8x</p>
--	---	--

			 <p>Ø 5mm Ø 8mm</p>	
 <p>TORX ext. 115</p>				



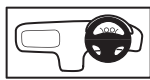
1



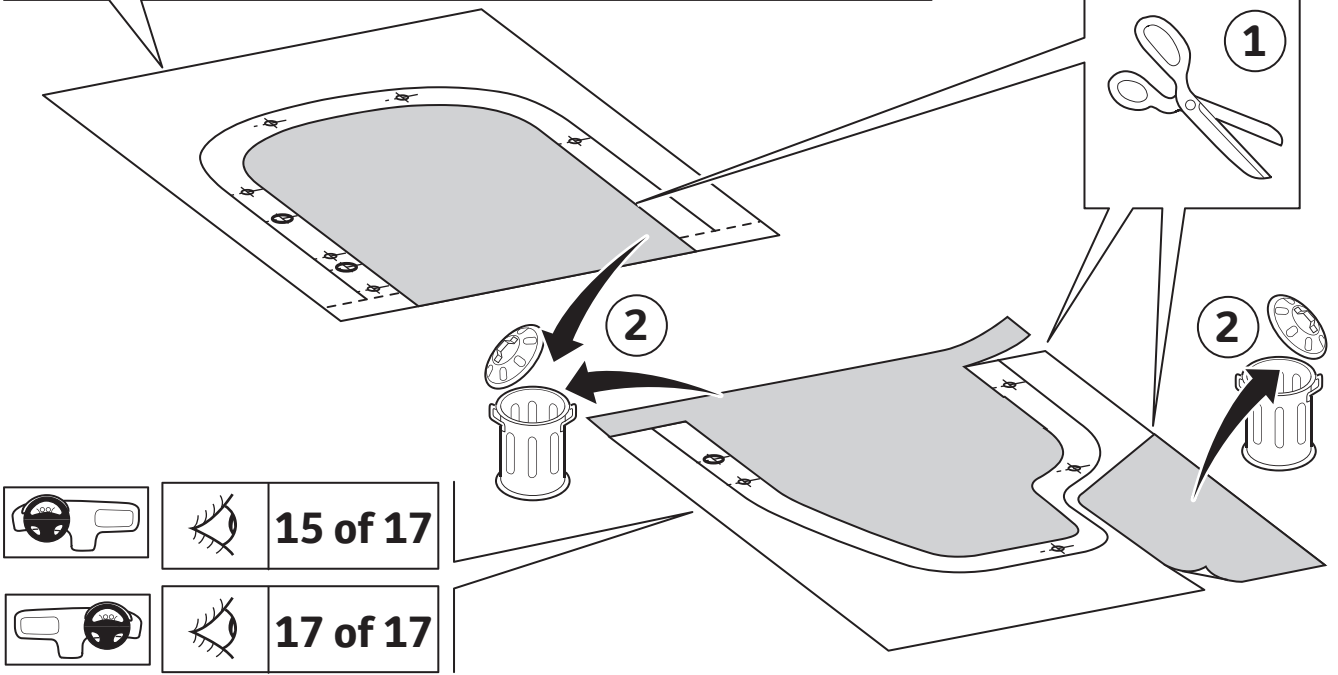
2



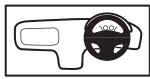
14 of 17



16 of 17



15 of 17



17 of 17

3



14 of 17



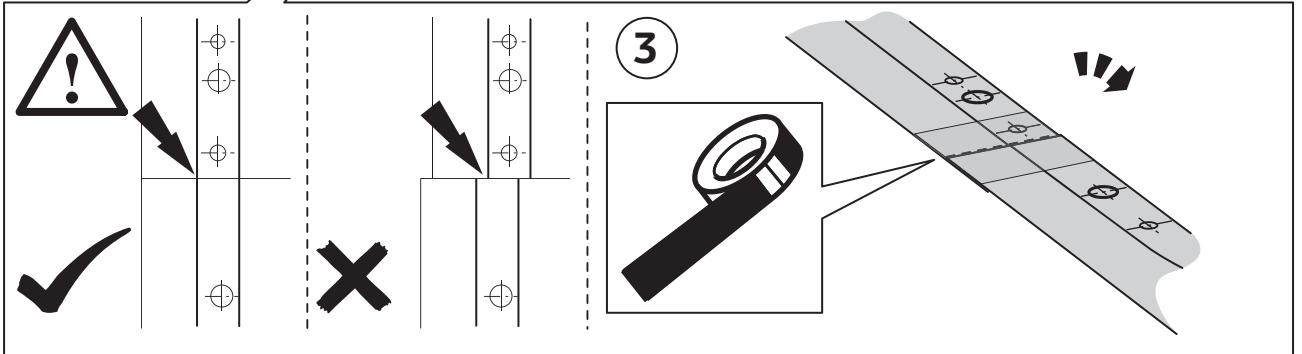
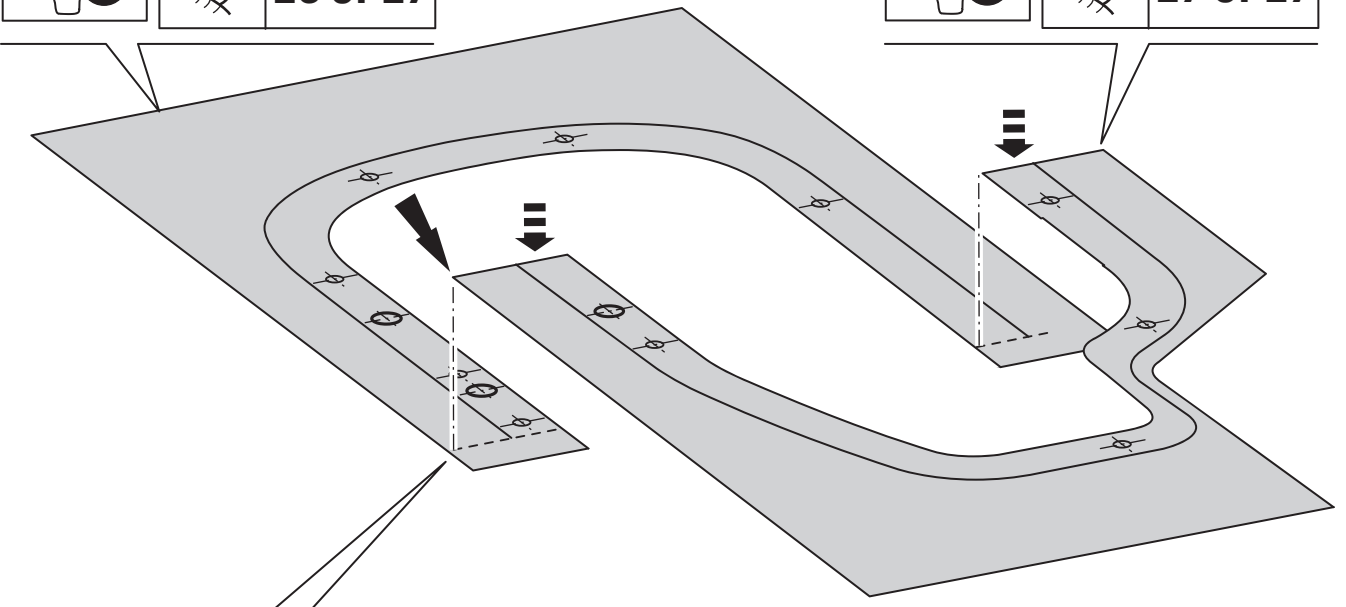
16 of 17



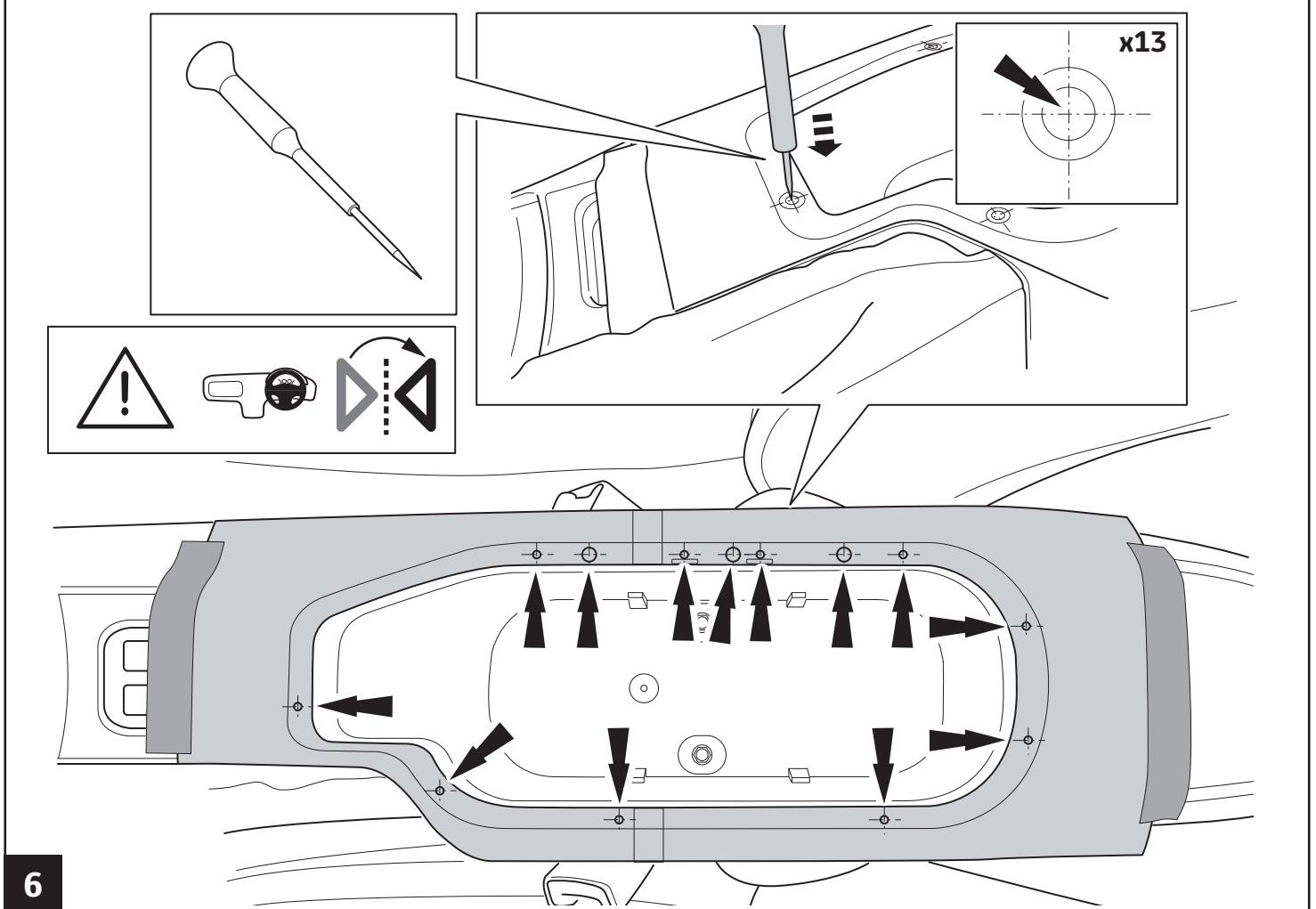
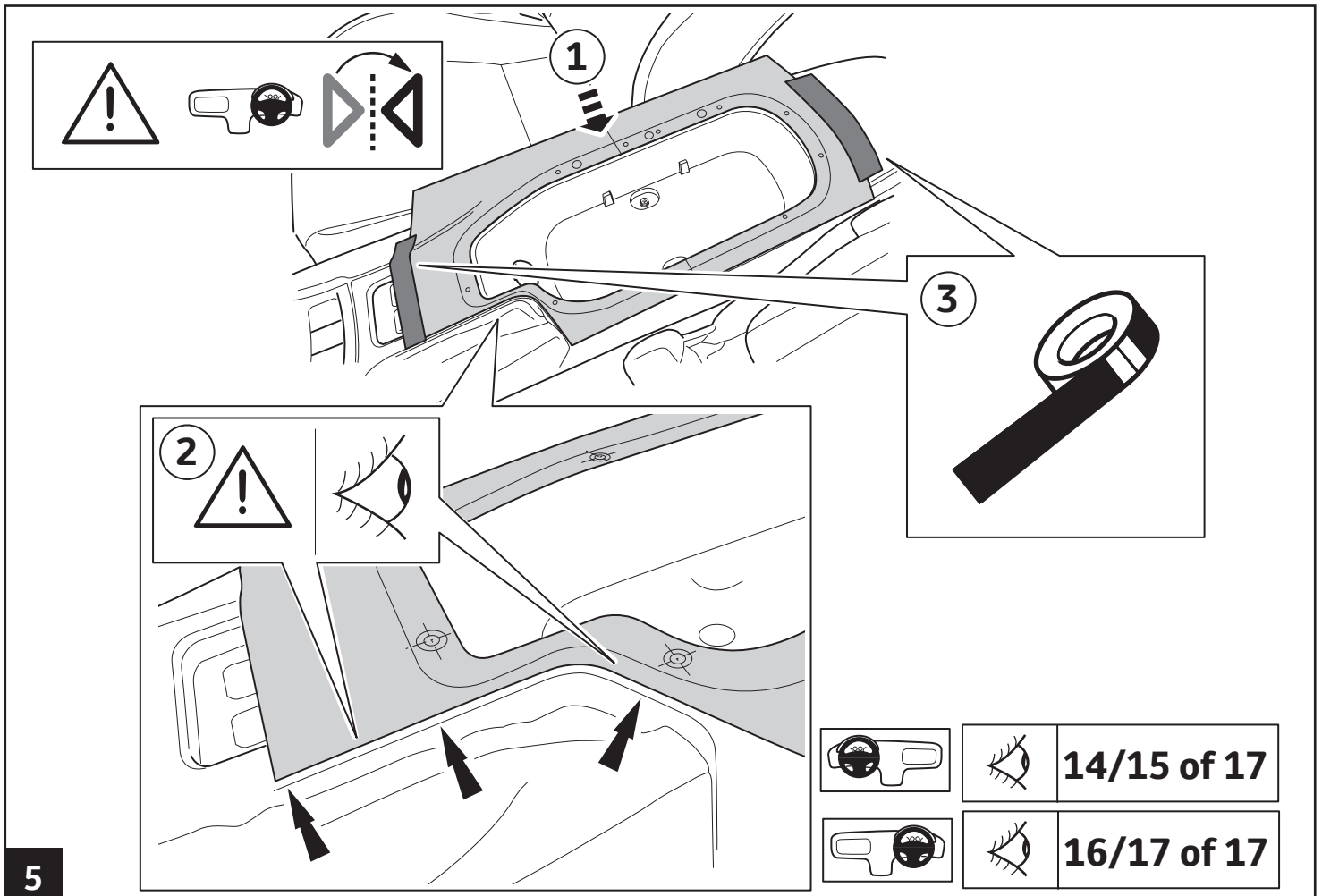
15 of 17

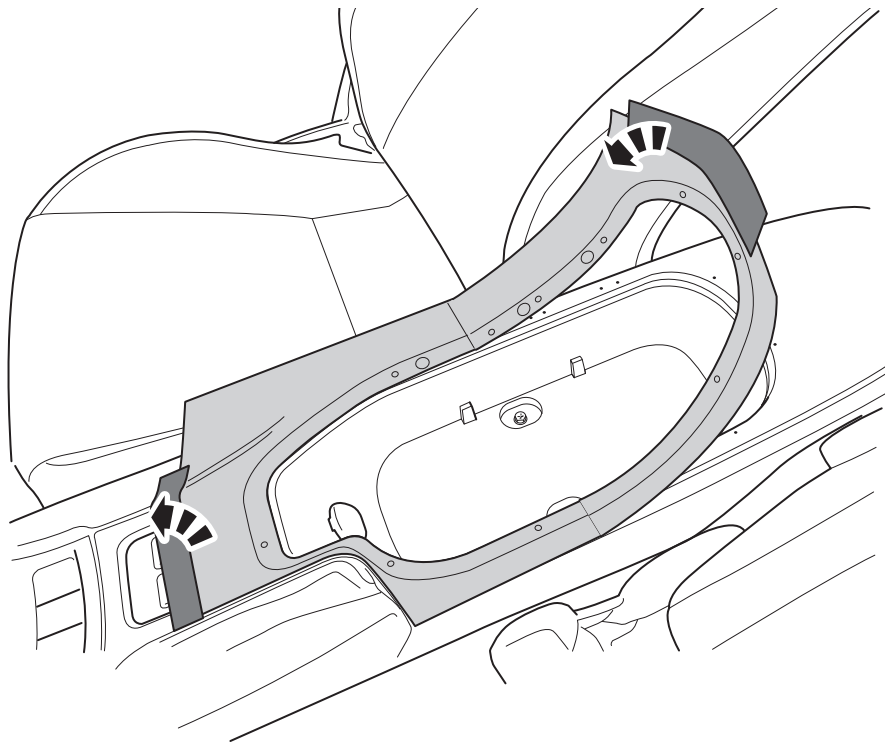


17 of 17


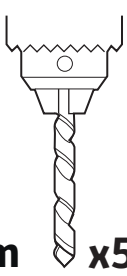


4






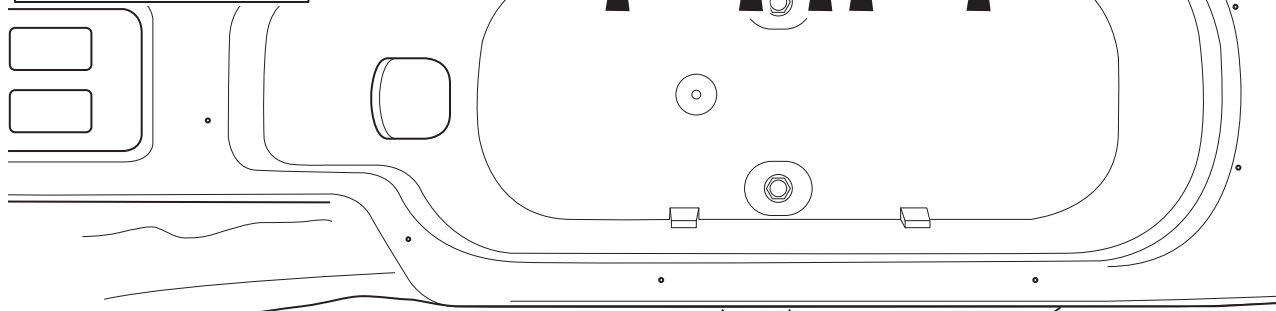

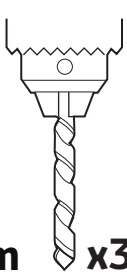


7

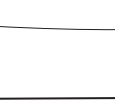

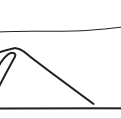
1

Ø 5mm x5

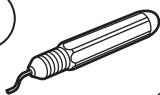








2

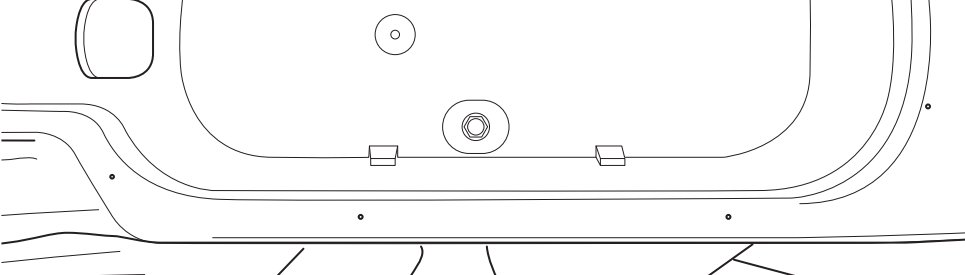
Ø 8mm x3

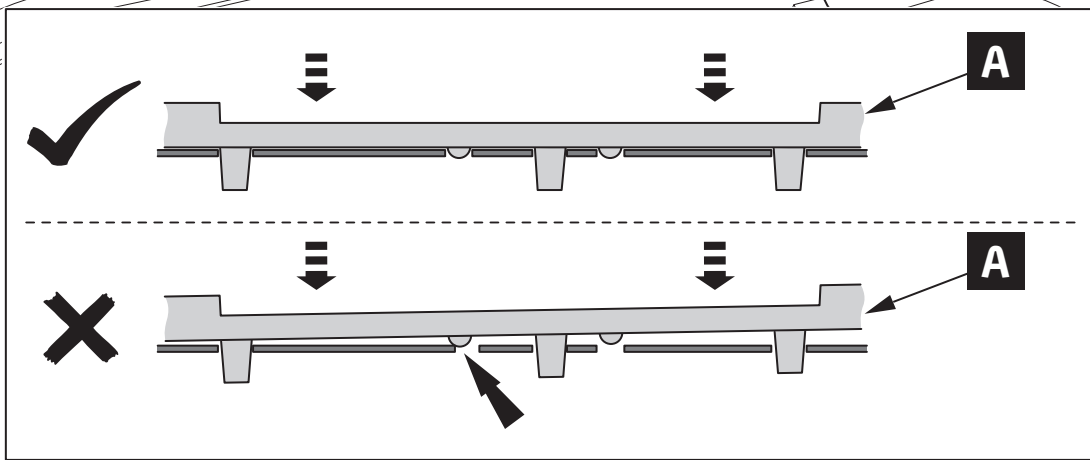
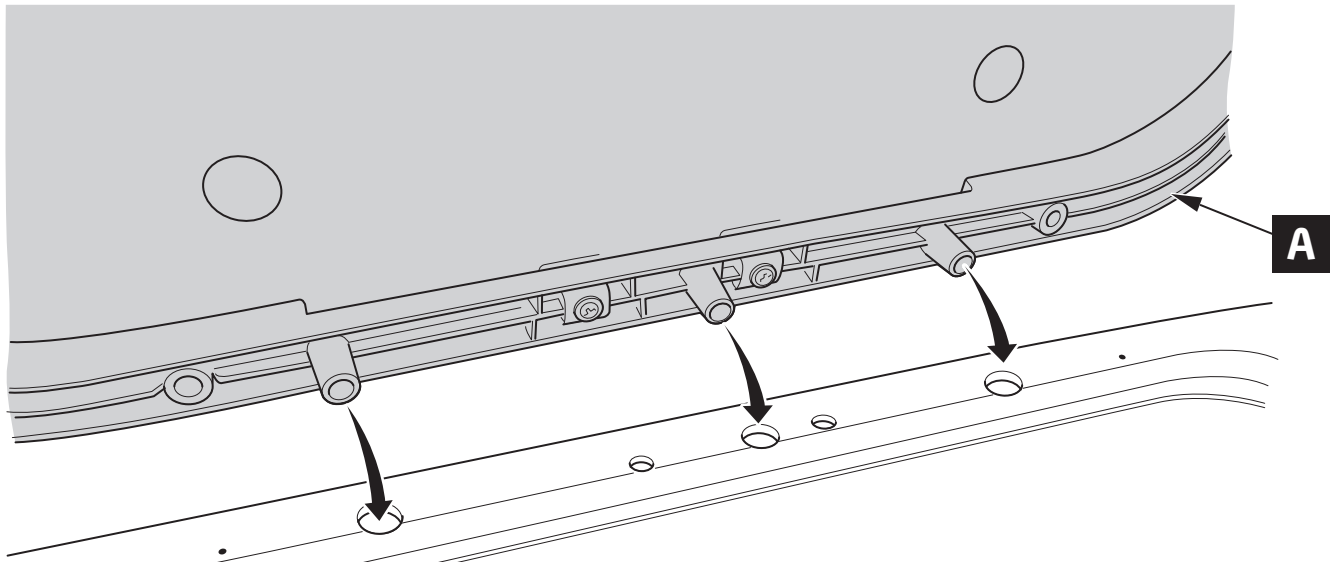
3

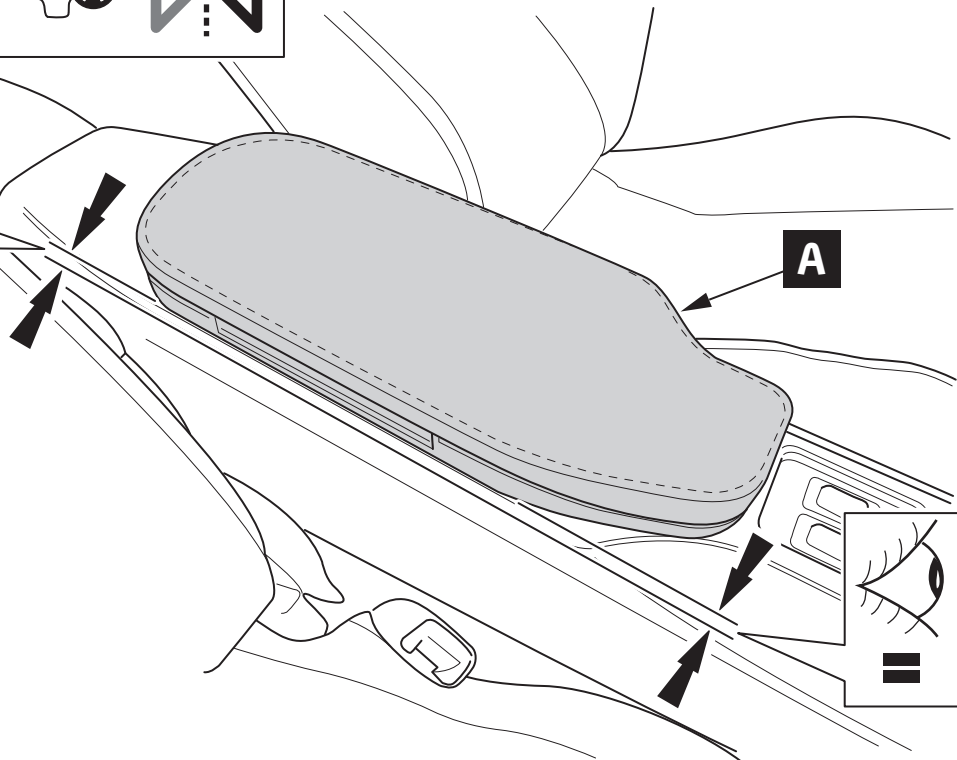
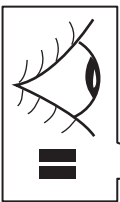
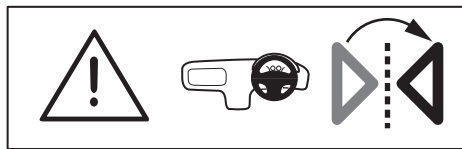
x5



8

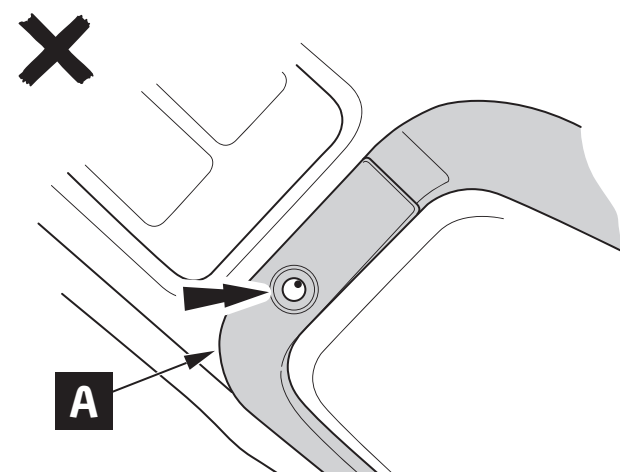
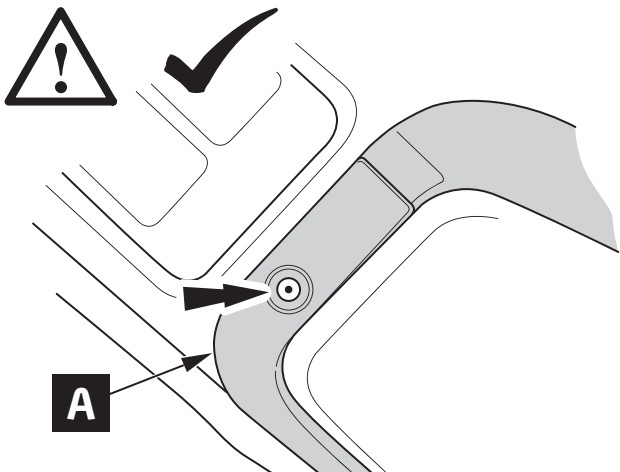
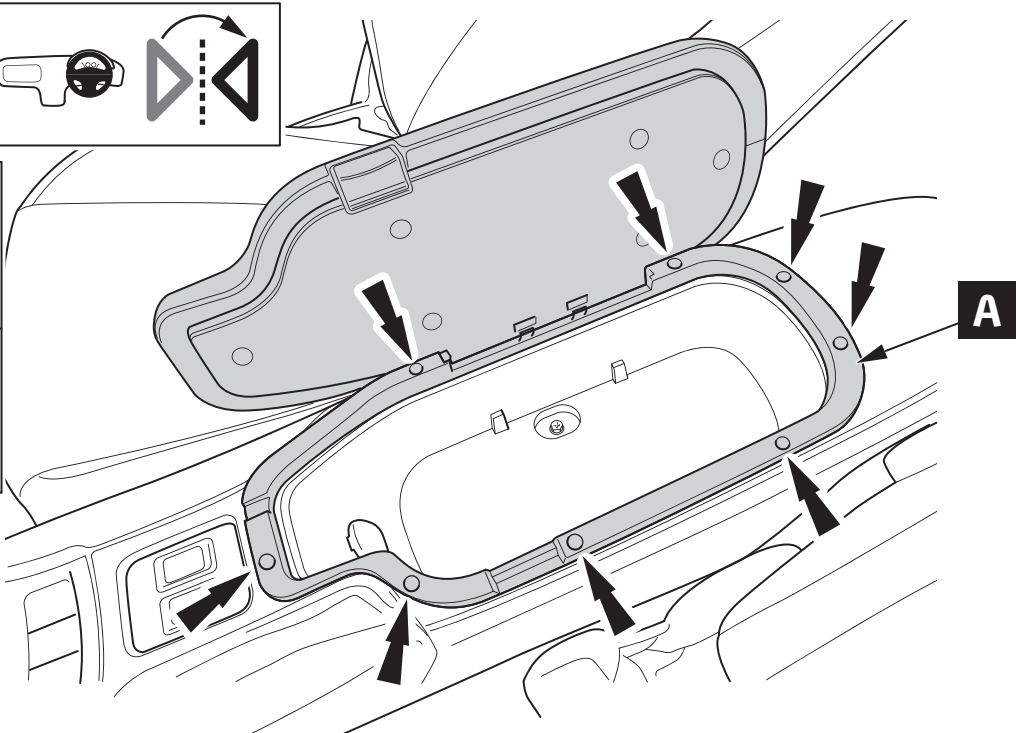
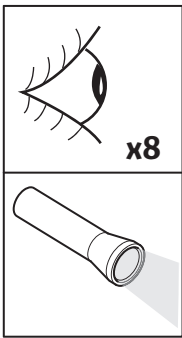
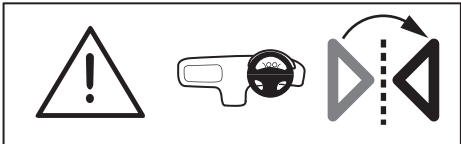
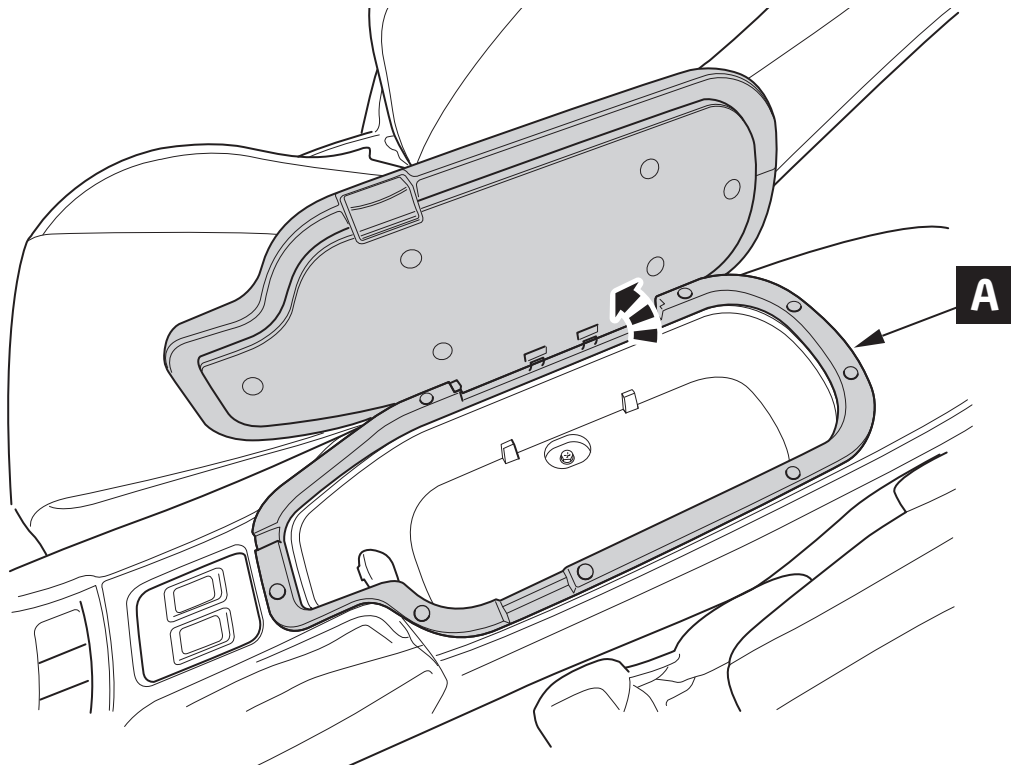


9



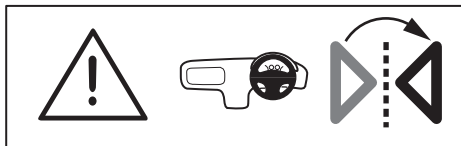
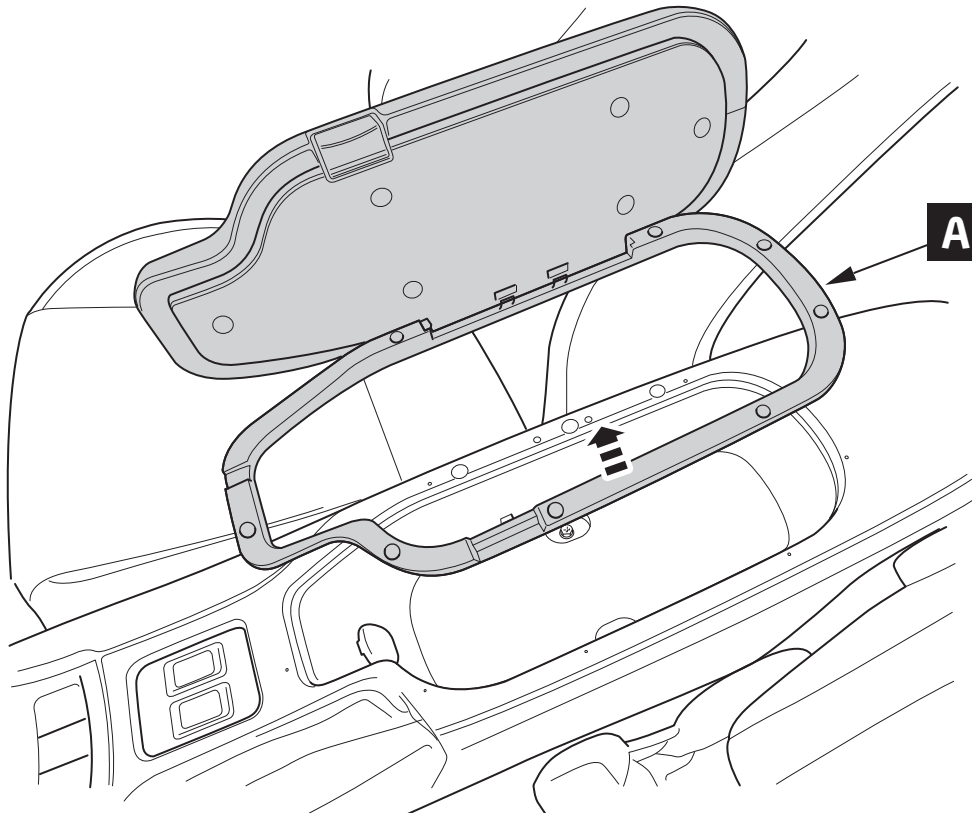
10


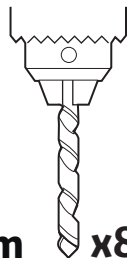

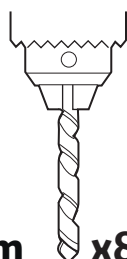
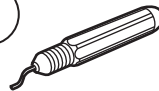

11

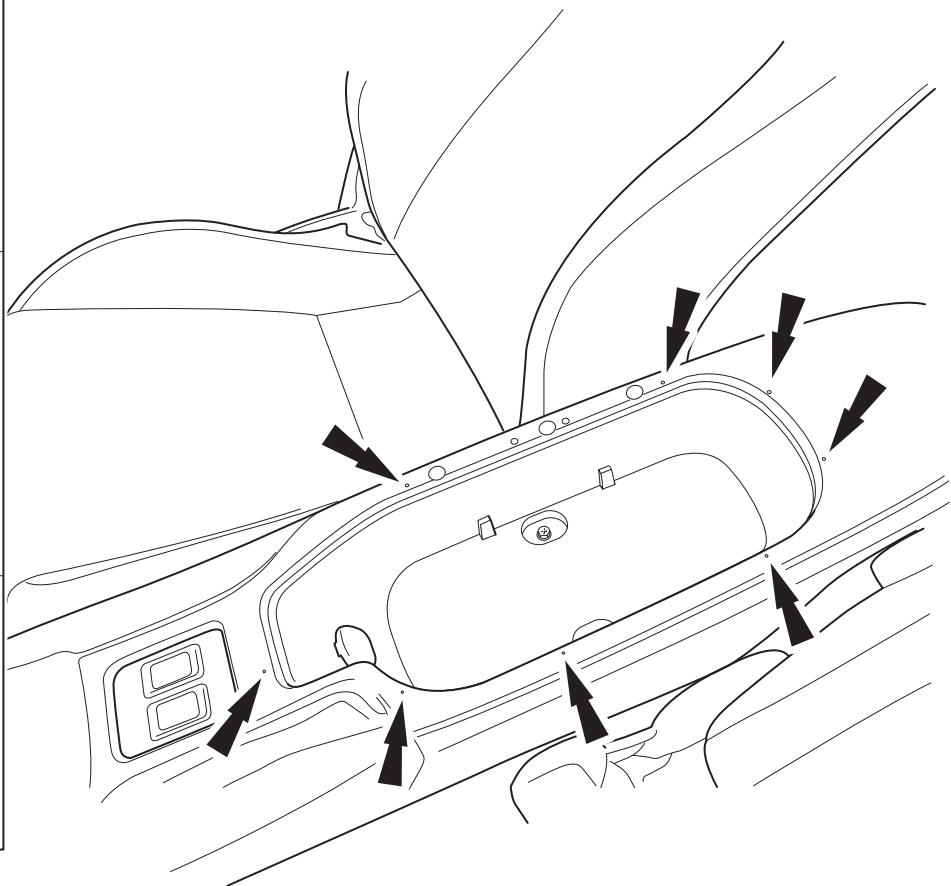


12

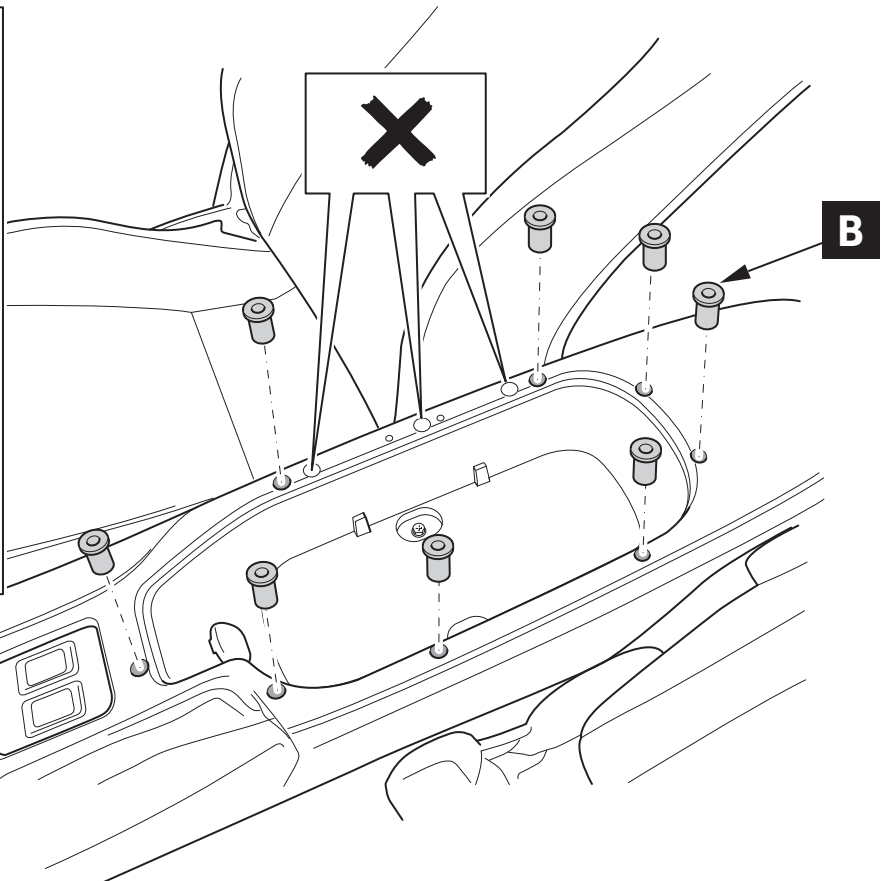
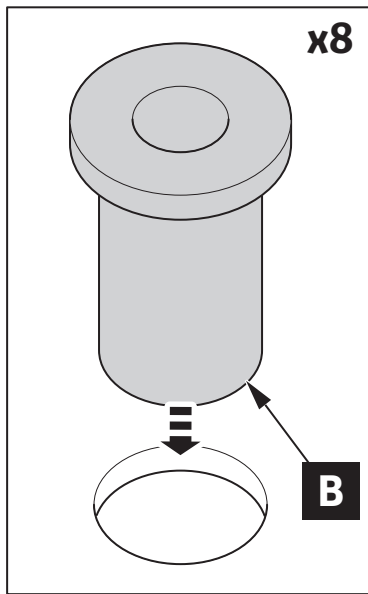
13



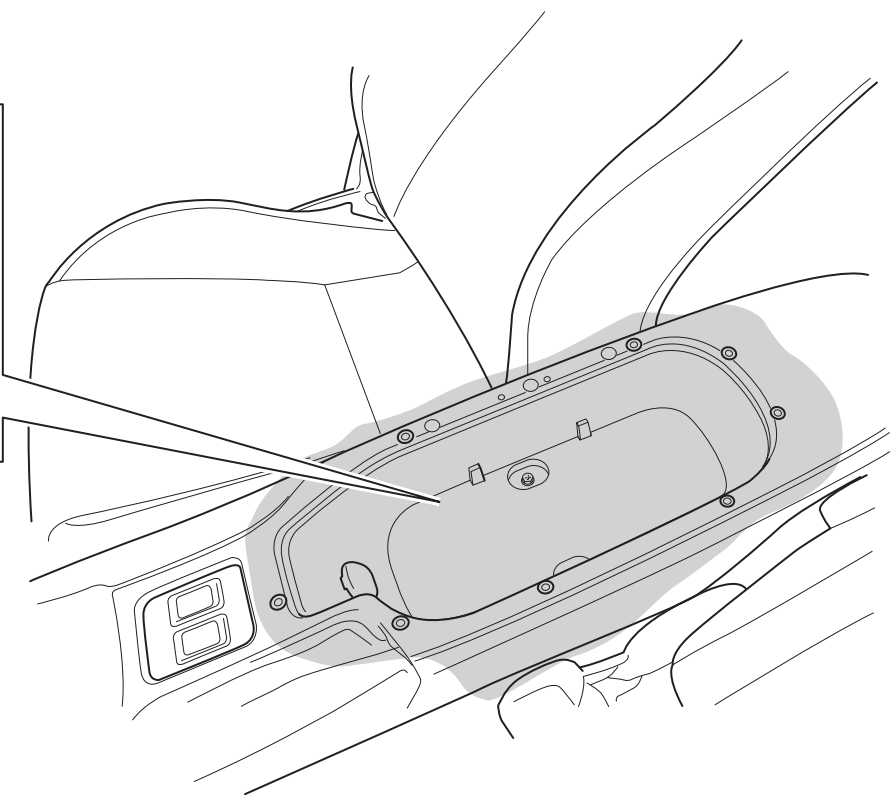
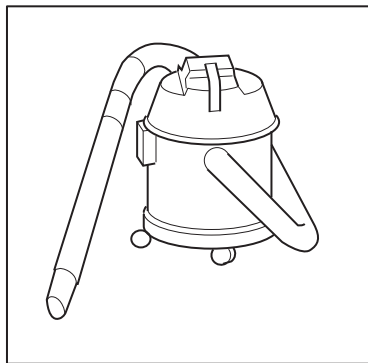
- 
1

Ø 5mm x8
- 
2

Ø 8mm x8
- 3**


x8



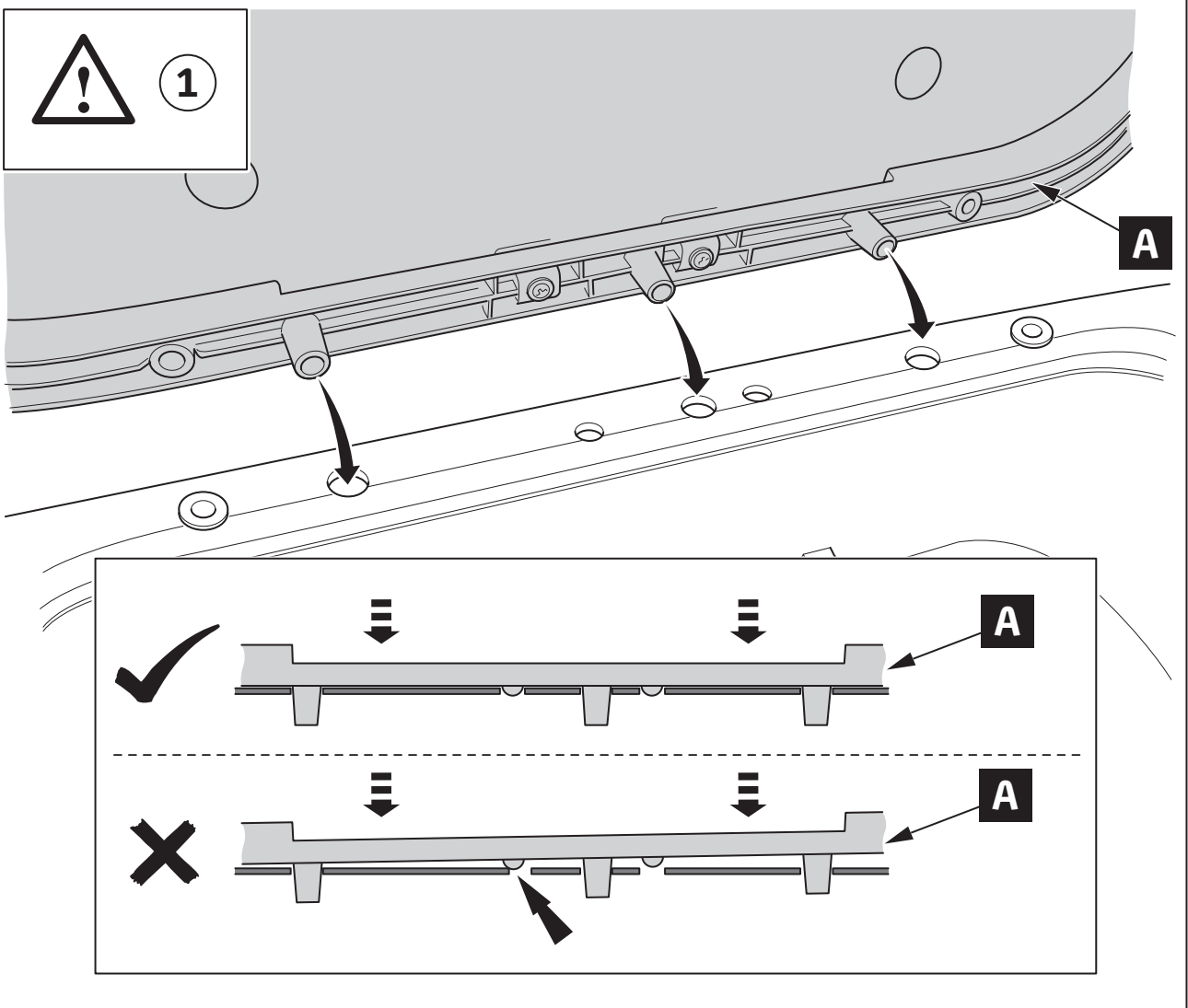
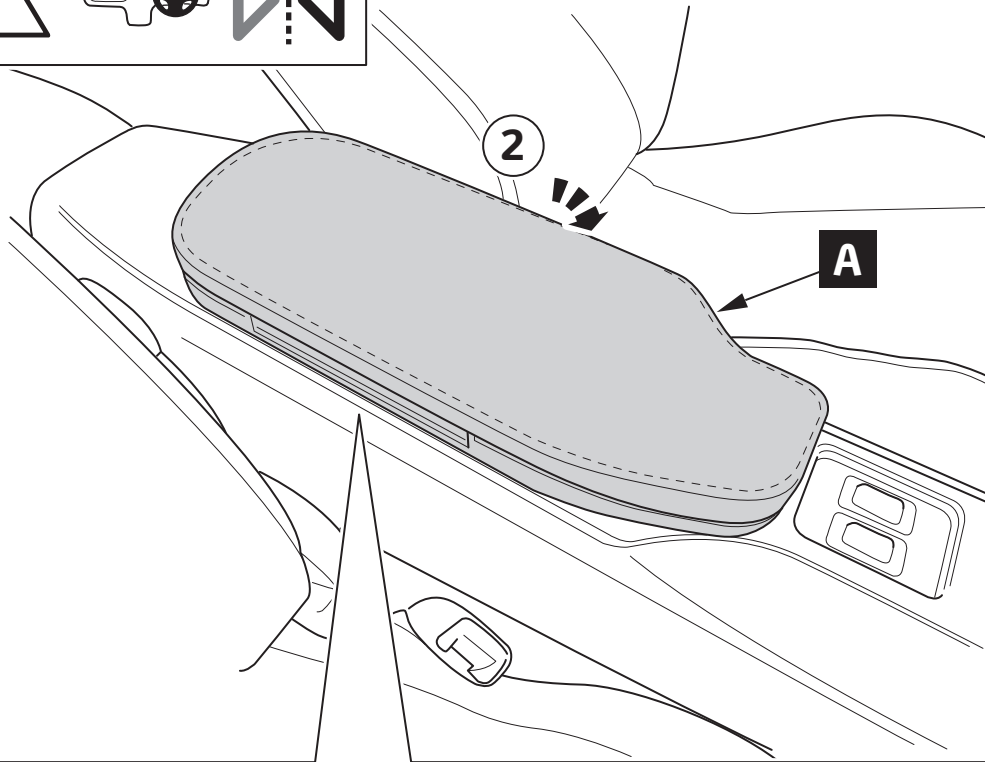
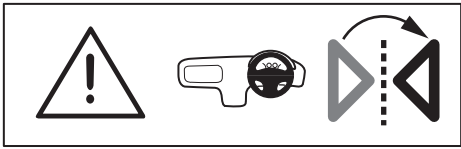
14



15

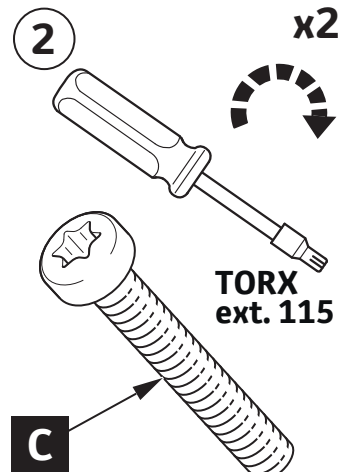


16


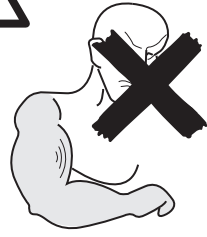
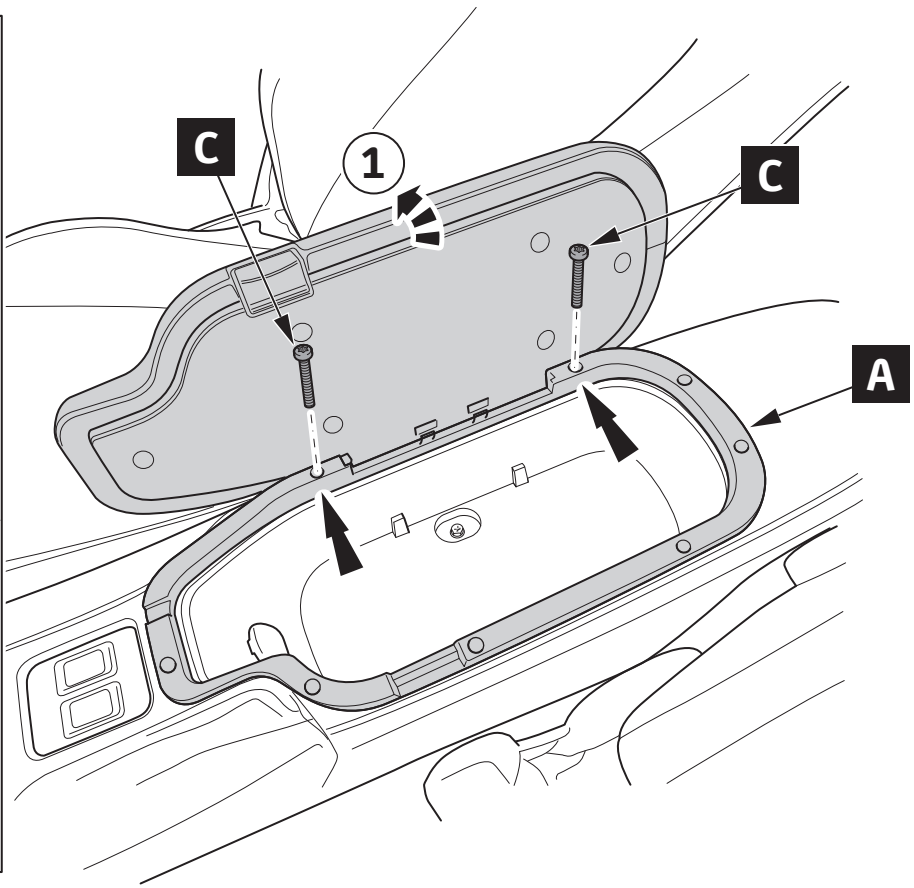


18

2 x2

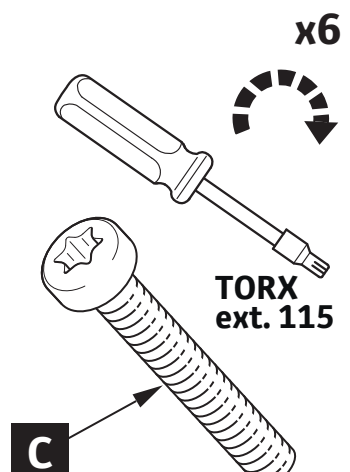


TORX ext. 115


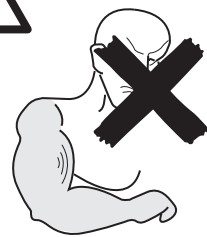
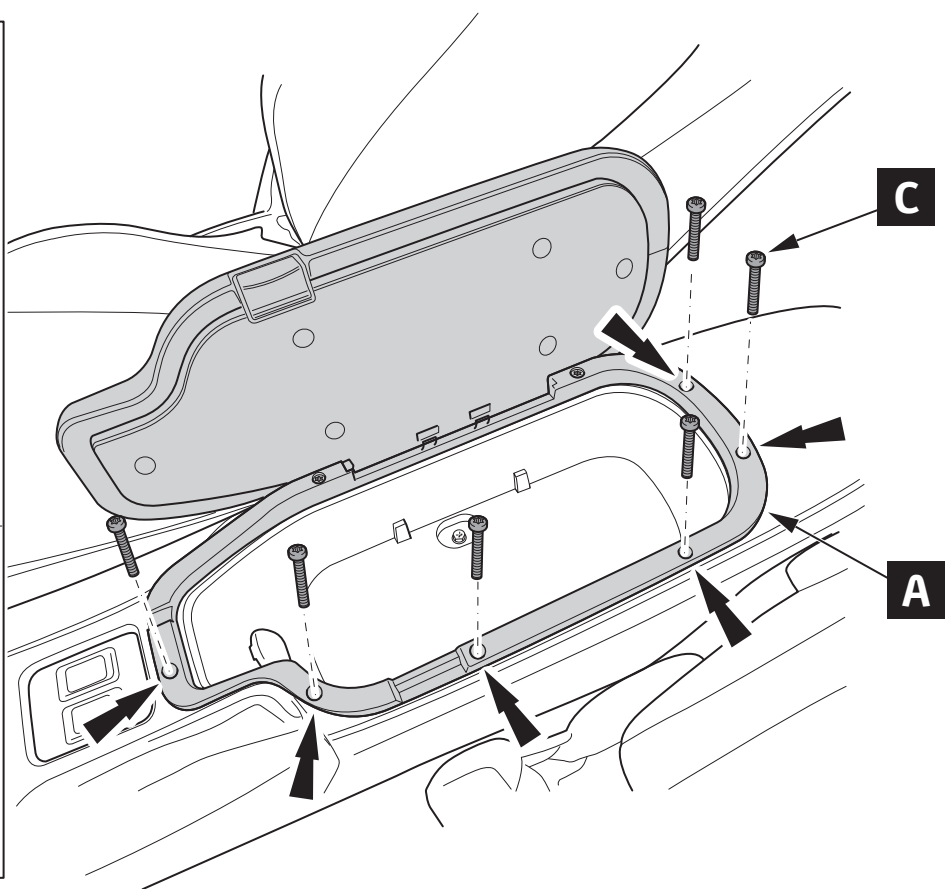




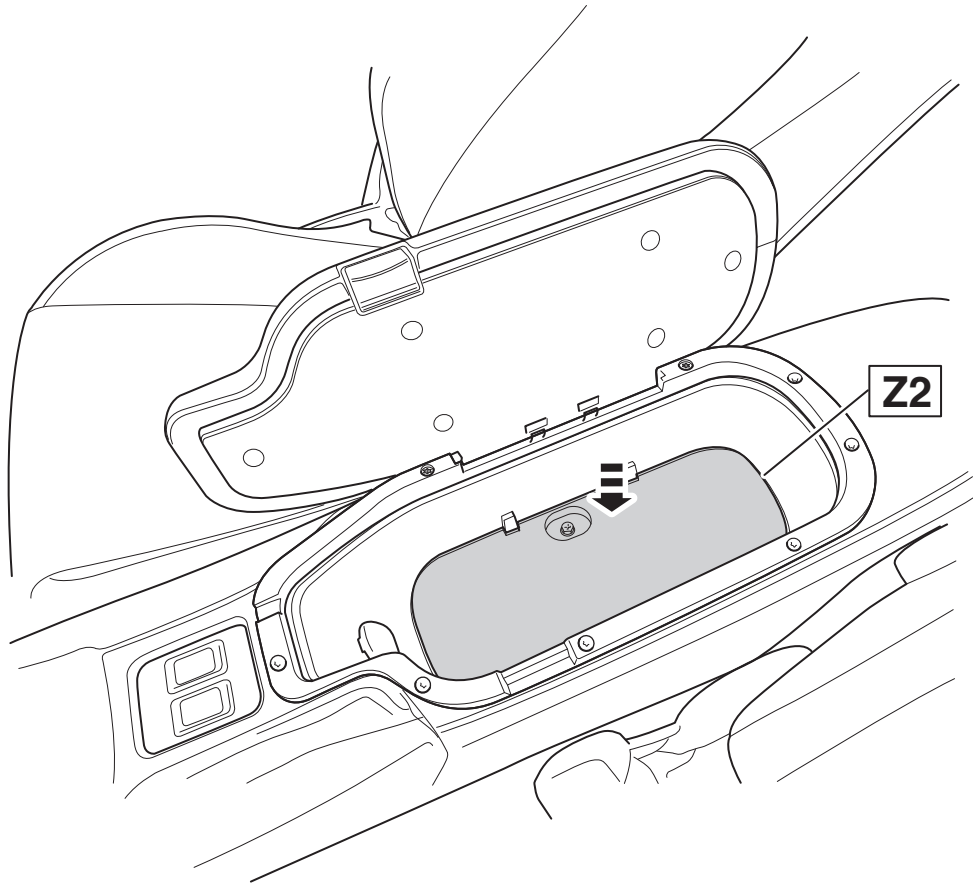
19

x6

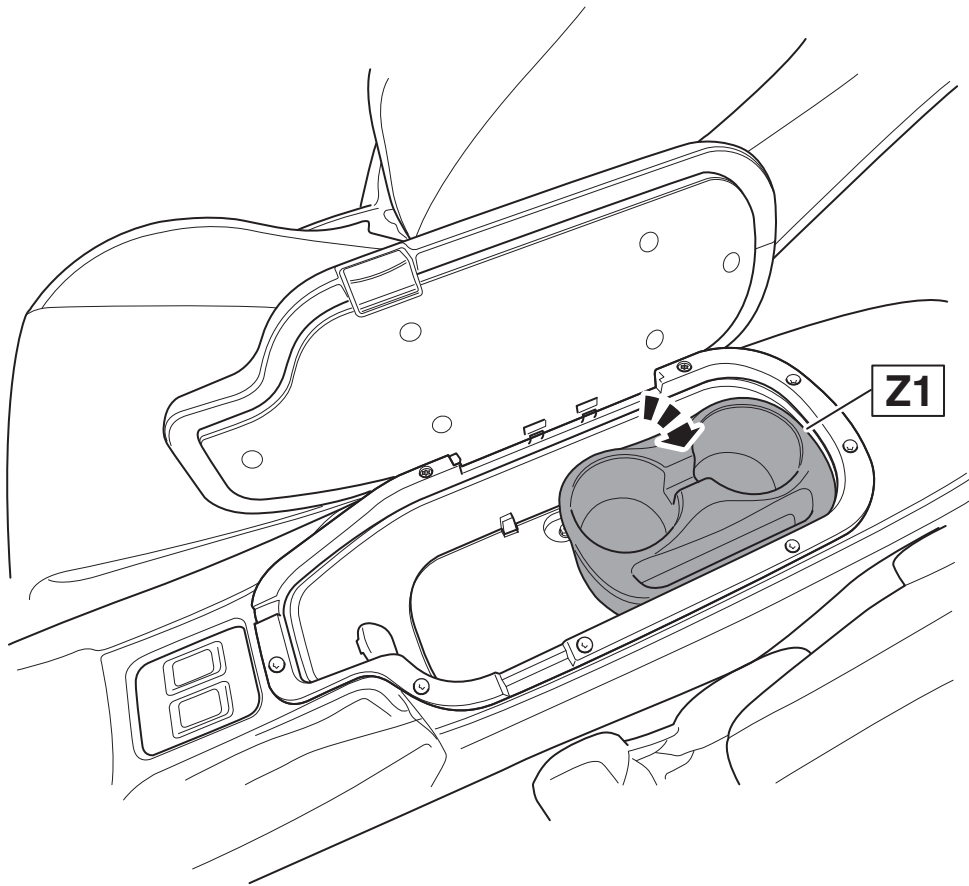


TORX ext. 115

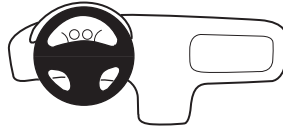






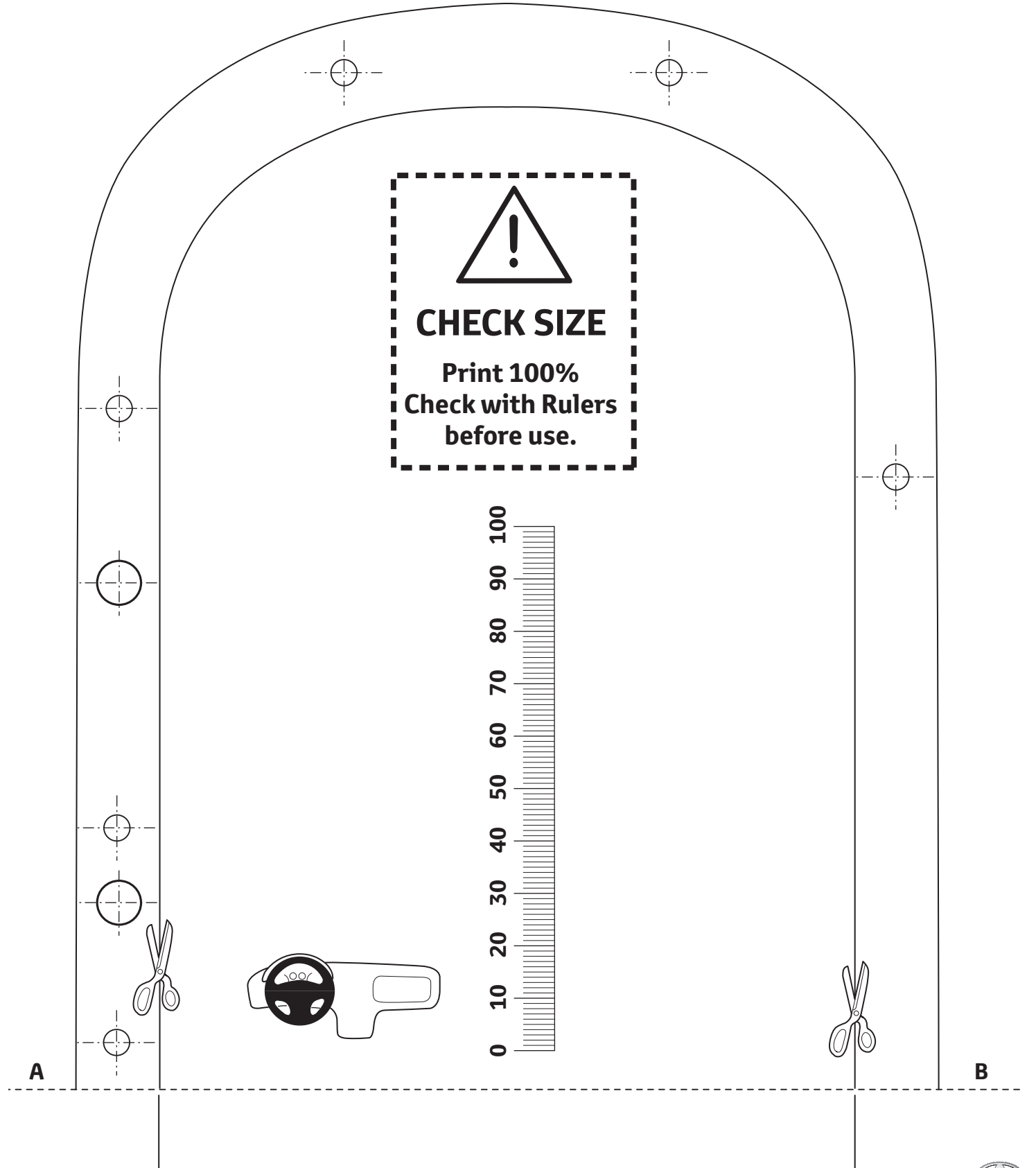
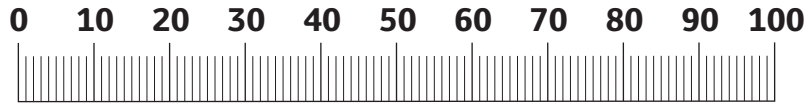
20

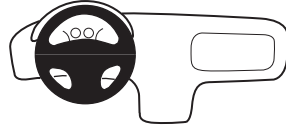


21



PZ435-10340-00





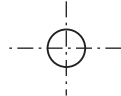
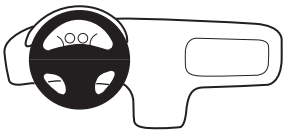
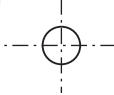
PZ435-10340-00

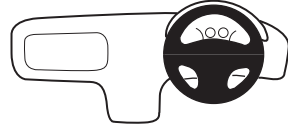


A

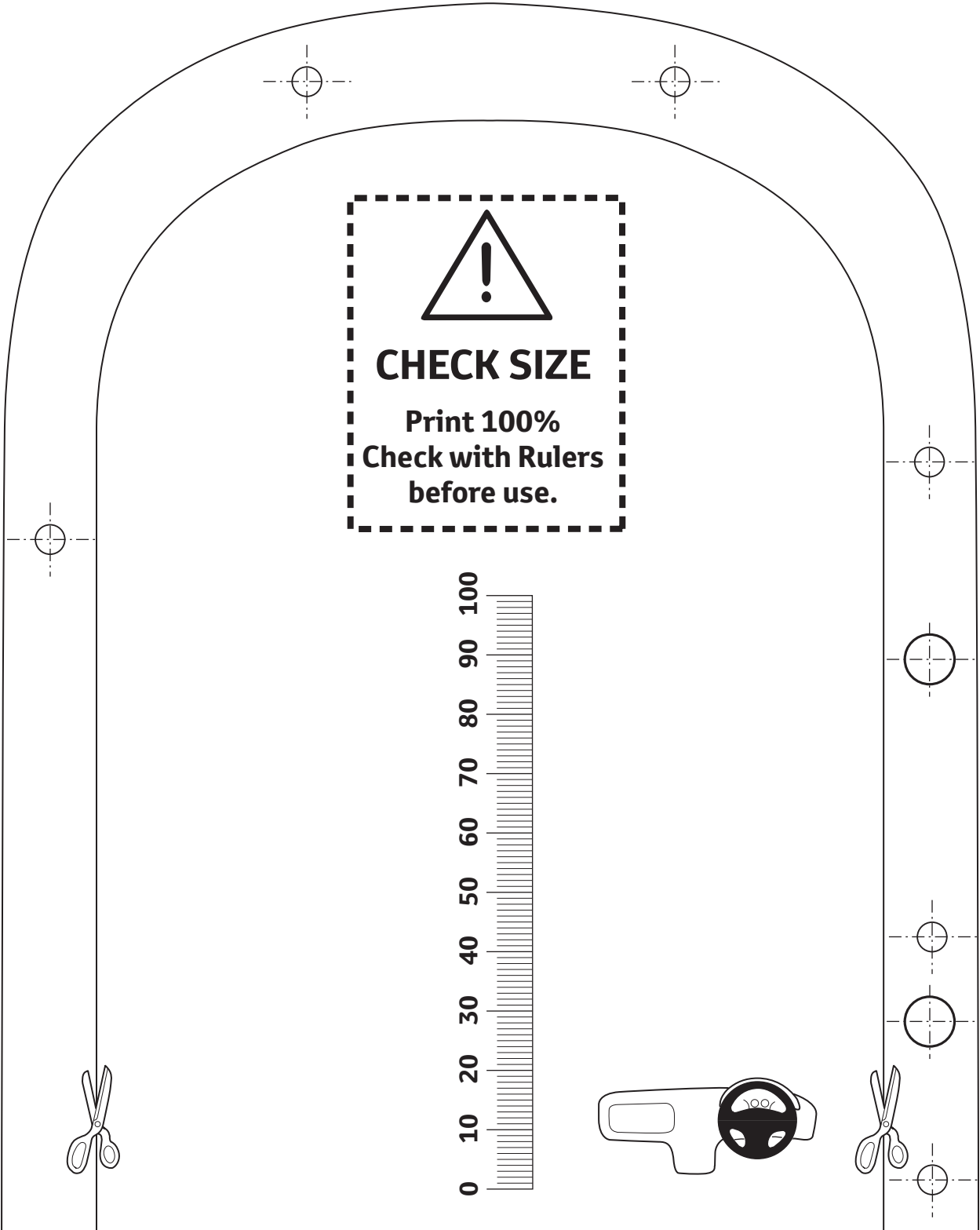
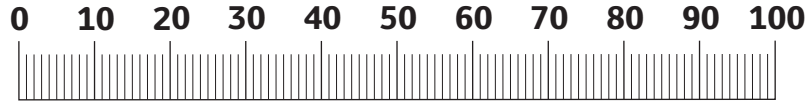
B


CHECK SIZE
 Print 100%
 Check with Rulers
 before use.



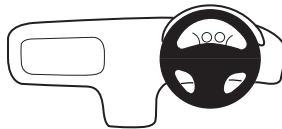


PZ435-10341-00



A

B




PZ435-10341-00



A

B


CHECK SIZE
 Print 100%
 Check with Rulers
 before use.

